



**DELTA – Delfini & Cia., S.A.**

*Exceeding your needs for high performance*

**APPLICATIONS**

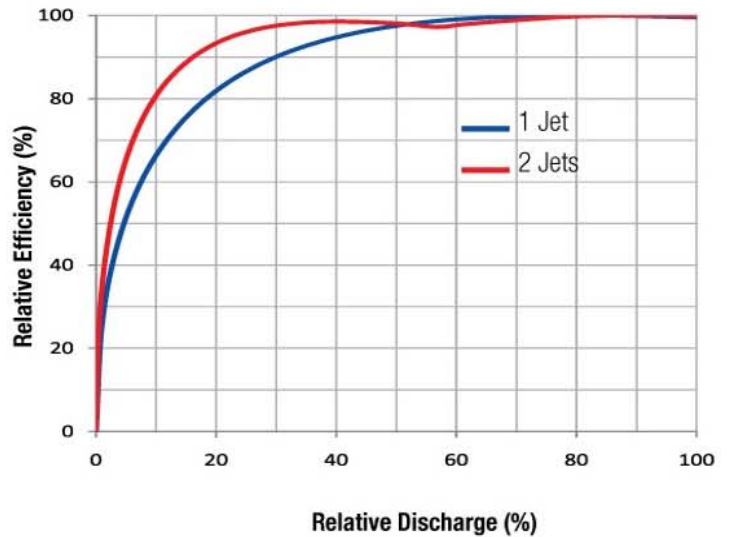
Head Range: 50-500 m  
Capacity: 10 kW – 5 MW

**CHARACTERISTICS**

- Optimized design for each project.
- Guaranteed efficiency and output.
- Excellent performance at sites with large flow variations.
- Witnessed model testing according to IEC-60193.
- Horizontal (up to two jets) or vertical (up to 6 jets) configurations.
- Runner mounted directly on generator shaft or with separate turbine shaft and bearings.

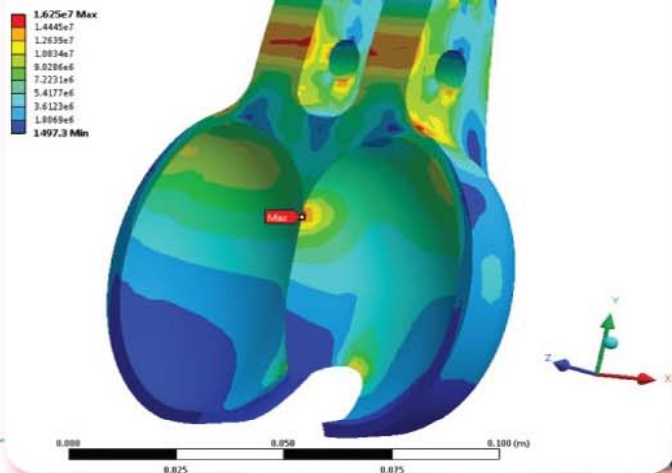


**Typical DELTA Pelton Turbine Performance**

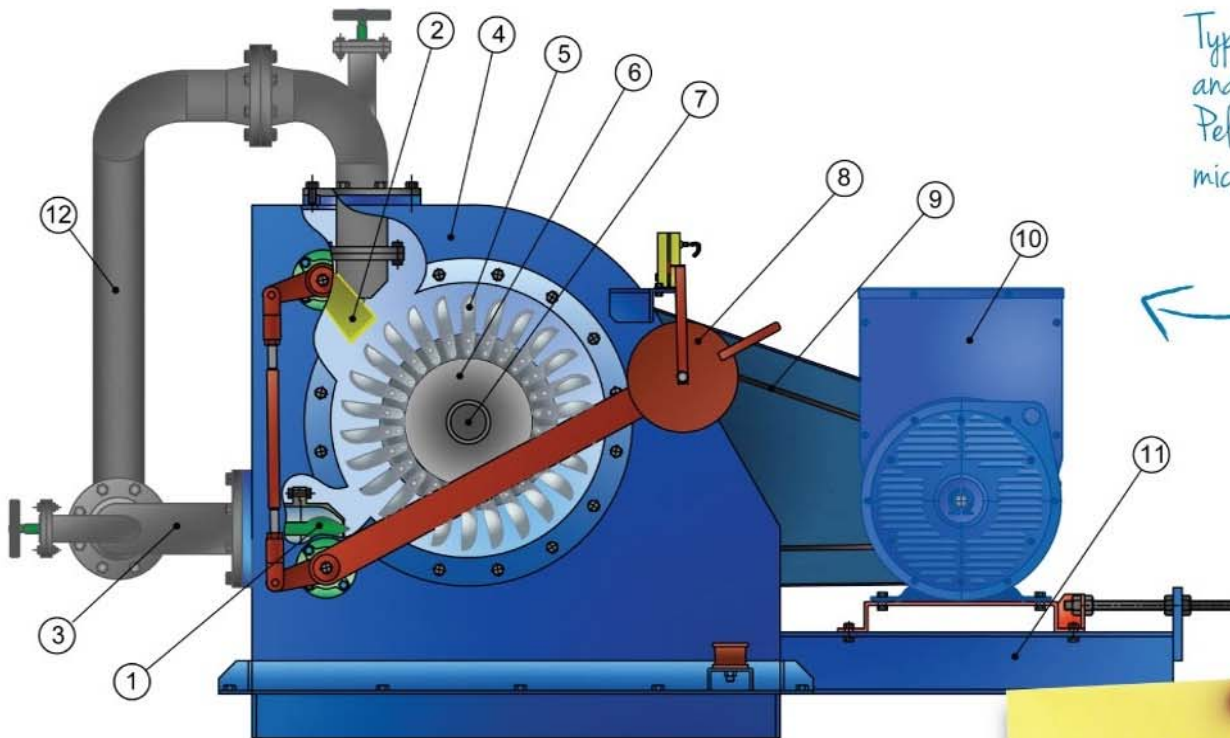


0: Copy of Static Structural (ANSYS) 25mm  
Equivalent Stress  
Type: Equivalent (von-Mises) Stress  
Unit: Pa  
Time: 1  
2/9/2011 4:53 PM

ANSYS  
v13.1



# Pelton Turbines



Typical components and materials of a Pelton Turbine for micro hydro application

COMPONENTS AND MATERIALS		
1	SPEAR TIP	ASTM A240 - 304L
2	JET DEFLECTORS	ASTM A240 - 304L
3	SPEAR VALVE	ASTM A563 / A240 304L
4	CASING	ASTM A36
5	BUCKETS	ASTM A743 - CA6NM
6	RUNNER DISC	ASTM A240 - 304L
7	TURBINE SHAFT	ASTM A276 - 420
8	DEFLECTOR COUNTERWEIGHT	ASTM A36
9	TRANSMISSION	-
10	GENERADOR	-
11	INTEGRAL BASE	ASTM A36
12	DISTRIBUIDOR	ASTM A563